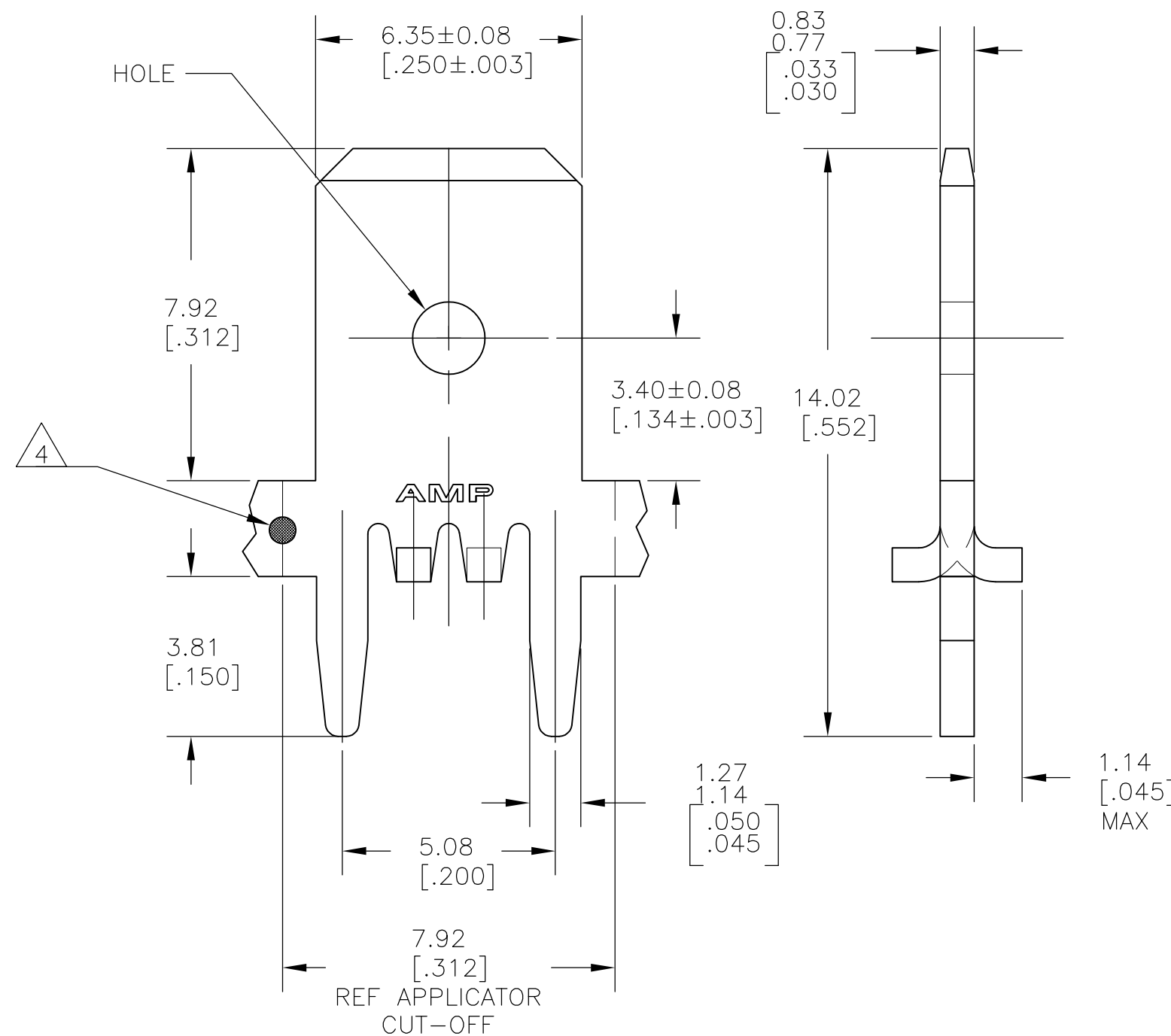
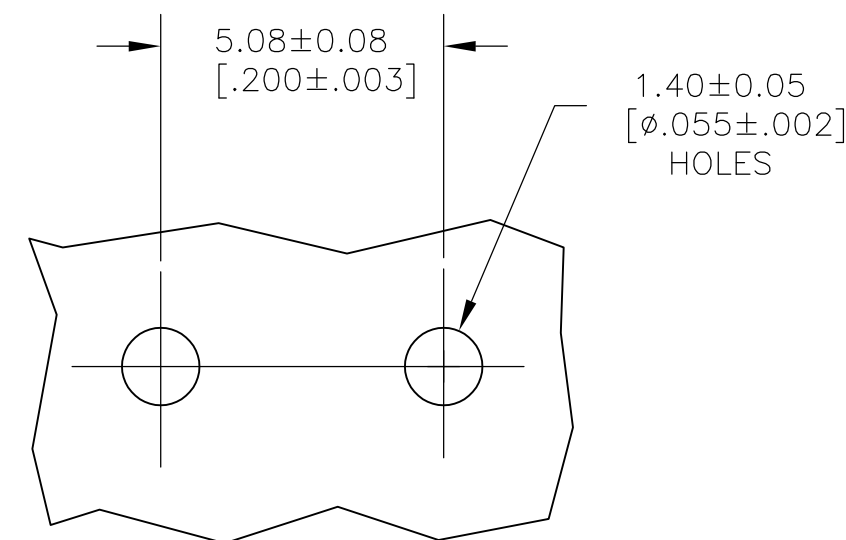


THIS DRAWING IS UNPUBLISHED. RELEASED FOR PUBLICATION  
 © COPYRIGHT BY TYCO ELECTRONICS CORPORATION. ALL RIGHTS RESERVED.

LOC	DIST	REVISIONS					
AF	50	P	LTR	DESCRIPTION	DATE	DWN	APVD
		P		REV PER ECR-07-025738	30JAN08	JR	KR



- 1 CONTINUOUS STRIP ON REELS.
- 2 TIN PLATE 0.00381 [.000150] MIN OVER 0.00254 [.000100] MIN THK COPPER OR TIN PLATE 0.00381 [.000150] MIN OVER 0.00127 [.000050] MIN THK NICKEL.
- 3 PRELIMINARY - NOT FOR PRODUCTION
- 4 OPTIONAL ID MARK, LOCATED APPROX AS SHOWN.



P.C. BOARD HOLE PATTERN

REVERSE	082 BRASS	63824-3
STANDARD	H04 BRASS	3 63824-2
STANDARD	082 BRASS	63824-1
REELING	MATERIAL	PART NO.

THIS DRAWING IS A CONTROLLED DOCUMENT.		DWN	JR RUTH	20FEB01	Tyco Electronics Corporation Harrisburg, PA 17105-3608	
DIMENSIONS: mm [INCHES]		CHK	MS FEHER	20FEB01		
TOLERANCES UNLESS OTHERWISE SPECIFIED:		APVD	N DEIBERT	20FEB01		
0 PLC ± - 1 PLC ± - 2 PLC ± 0.25 [.010] 3 PLC ± - 4 PLC ± - ANGLES ± -		PRODUCT SPEC	-			
MATERIAL	SEE TABLE	FINISH	2		NAME	TAB, FASTON, P.C.BOARD 6.35 [.250]
		APPLICATION SPEC	114-2115		SIZE	A3
		WEIGHT	-		CAGE CODE	00779
		CUSTOMER DRAWING			DRAWING NO	C-63824
		SCALE	8:1		SHEET	1 OF 1
		REV	P		RESTRICTED TO	-